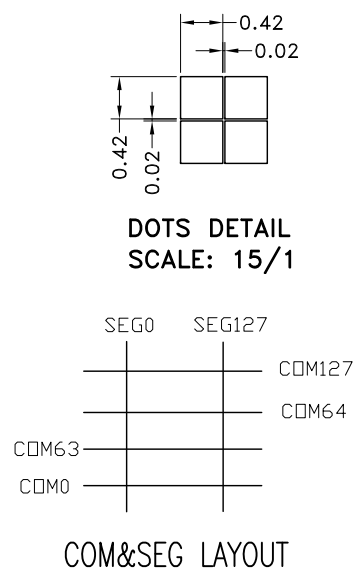
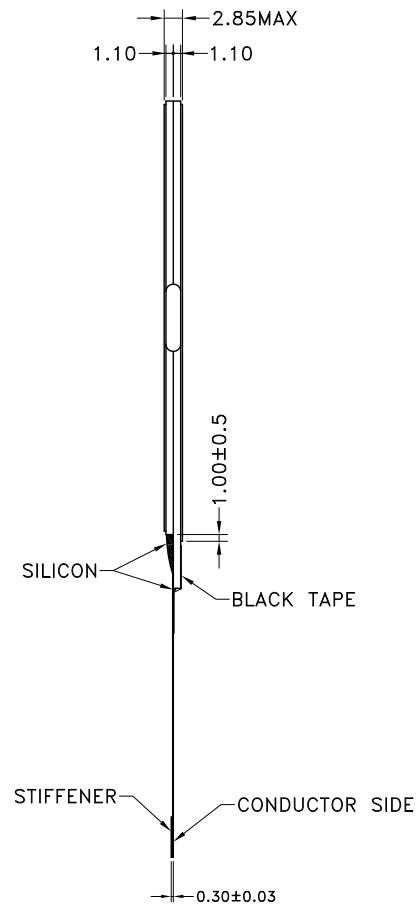


NOTE:
 1. GENERAL TOLERANCE: ±0.20
 2. (...) IS REFERENCE DIMENSION.
 3. * CRITICAL DIMENSION
 4. RoHS COMPLIANT



PIN ASSIGNMENT

PIN	SIGNAL
1	PS0
2	PS1
3	PS2
4	CSB
5	RST
6	A0
7	RW_WR
8	E_RD
9	D0
10	D1
11	D2
12	D3
13	D4
14	D5
15	D6
16	D7
17	VDD
18	VDD
19	VSS
20	VSS
21	VOUT_out
22	VOUT_in
23	V4
24	V3
25	V2
26	V1
27	V0
28	VR
29	INTRS
30	NC

Display Type	FSTN
	Positive Transflective
Operating Method	1/128 DUTY 1/12 BIAS
Viewing Angle	6:00
LCD Controller/Driver	ST7528
Logic Voltage (VDD)	3.0V
LCD Driving Voltage(VLCD)	13.5V
Operation Temperature	-20°C TO 70°C
Storage Temperature	-25°C TO 75°C
Backlight	

VER.	SYMBOL	AMENDMENT	SIGN	DATE	CUSTOMER'S APPROVAL	TITLE	DRAWING NO.
01		First Issue	JLF	11.09.15		MODULE SPEC.	STR-TG0619B
						BOM NO.:BM-110914-08	UNIT mm SCALE FIT
							3rd Angle SHEET 1 OF 1
						TRUEVISION TECHNOLOGIES LTD	